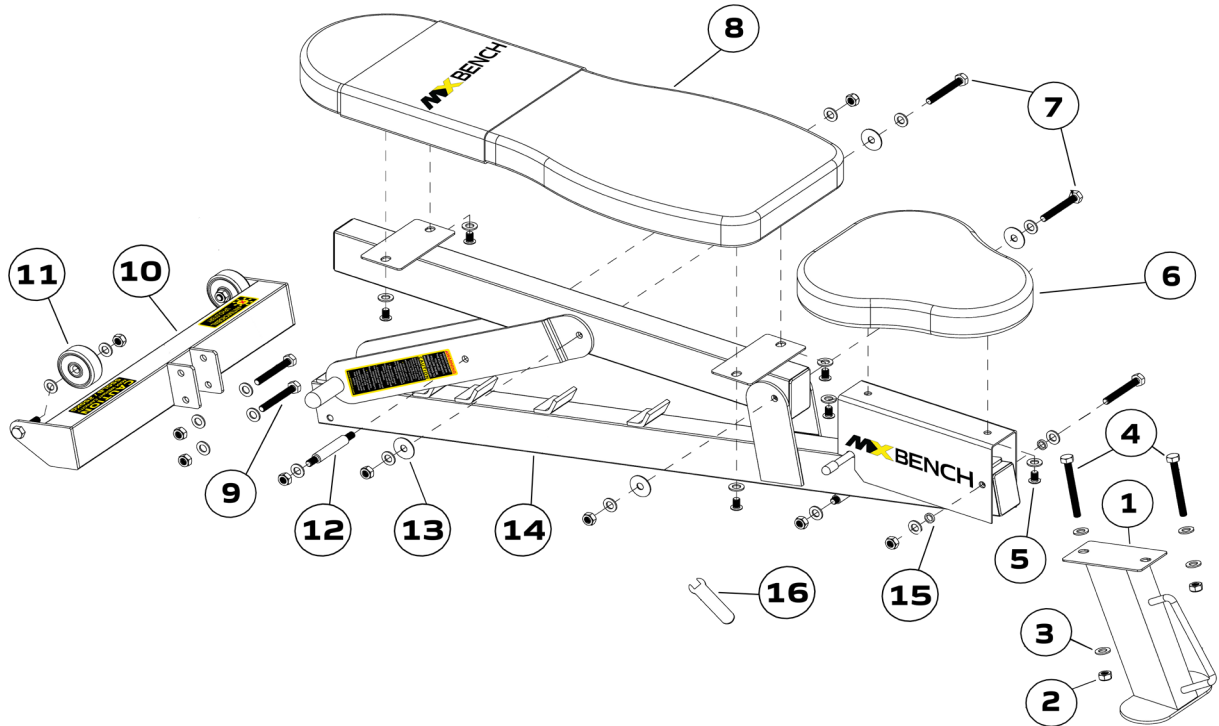


## MXBENCH DUMBBELL SYSTEM

### EXPLODED PARTS DIAGRAM - MX BENCH



### PARTS LIST - MX BENCH

NO	PART NO.	DESCRIPTION	SPECIFICATIONS	QTY
1	MXB001	Front Foot		1
2	MXB002	Locknut	M10	14
3	MXB003	Flat Washer	M10	29
4	MXB004	Bolt M10 x 95mm for Front Foot	M10 x 95mm	2
5	MXB005	Bolt M10x 15mm for Upholstery - Seat	M10 x 15mm	6
6	MXB006	Upholstery - Seat		1
7	MXB007	Bolt M10 x 80mm for Upholstery - Back Rest	M10 x 80mm	2
8	MXB008	Upholstery - Back Rest		1
9	MXB009	Bolt M10 x 75mm for Wheel Base	M10 x 75mm	3
10	MXB010	Wheel Base		1
11	MXB011	Rubber Wheel		2
12	MXB012	Stud Bolt M10 x 110mm	M10 x 110mm	1
13	MXB013	Nylon Flat Washer	10 x 40 x 3mm	4
14	MXB014	Main Bench Frame		1
15	MXB015	Nylon Flat Washer	10 x 20x 4mm	2
16	MXB016	Open-End Wrench	17	2

Podrobnější informace na: [info@fit-pro.cz](mailto:info@fit-pro.cz)